

PRODUCT FEATURES

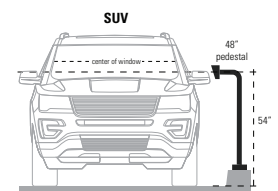
- In-ground/wet cement for cars and trucks
- Universal design
- Heavy duty materials
- Steel construction
- Black wrinkle powder coating w/ UV protection
- NDAA, Buy American, or USMCA/CUSMA compliant
- Build To Order (BTO)
- Available direct or through distribution
- ADA compliant

CUSTOM OPTIONS

- Shorten or extend neck reach
- Shorten or extend height
- Customize face plate or base plate
- Readily available powder coating colors (white, yellow, bronze, gray, silver)
- Choose any RAL powder color

DESCRIPTION

A heavy duty, in-ground, car-height pedestal for mounting access control devices at gates. Holds the heaviest telephone entry systems sturdy in the wind. Place in the ground or wet cement. Bury the post in the ground 24"-30" to achieve variable device heights between 42"-48".



Download Vehicle Height Chart for more details

RECOMMENDED ACCESSORIES

HOOD



Hood-CS-14x14

HOUSING



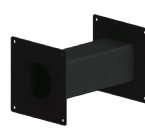
MC-CS-14-E

BUFFER PLATE

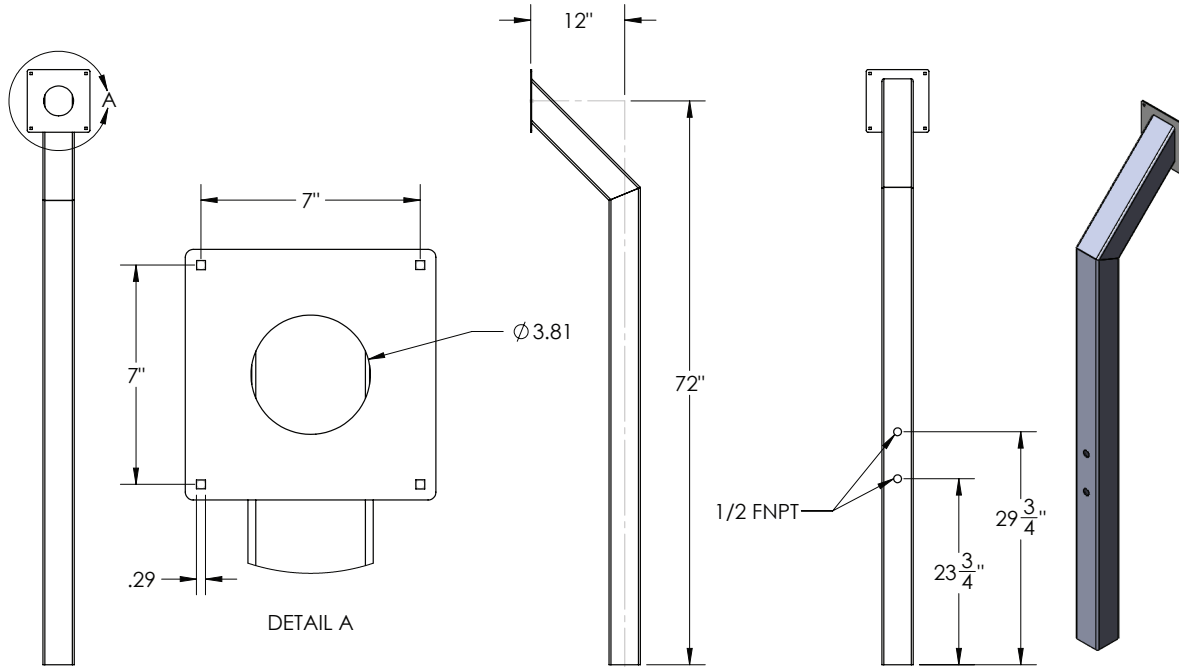


CS-ABP-1212

NECK EXTENSION



12-EXT-4



NOTE: CAD drawing available online.
Scan for more detail.



DATA & SPECS

Product Style	Gooseneck
Material	Steel
Tube	4" x 4" x .120" wall, steel
Face Plate	.125" (11 gauge)
Base Plate	n/a
Cover Plate	n/a
Mounting Method	In-ground, wet cement
Pretreatment	High pressure/high temperature phosphate wash and rinse
Finish	Black wrinkle powder coating (TGIC outdoor polyester)
UV Protection	Yes
Hardware	1/4-20 carriage bolts and nuts (qty 4 each, zinc plated)
Packaging	Foam wrapped and boxed individually
Package Size	77 x 15 x 10
Weight	55 lbs
Shipping Method	UPS, FedEx, or LTL freight
Compliance	NDA, Buy American, or USMCA/CUSMA (see website for details)
Warranty	1 year limited (see website for details)
Inventory Status	Build To Order (Fast Track production is available)

SIMILAR PRODUCTS

