

2 x 4MP LumiFlex Dual-Sensor Dome Camera

N9P-4RA2



Key Features

- 2 x 4MP Dual-Sensor Dome Housing
- 2.8 mm Fixed Lenses
- LumiFlex
- Video Content Analytics: Line Crossing, Intrusion
- Intelligent Motion Detection (iMD)
- LumiDesertPro and LumiPolarPro

Certifications and Compliance

- NDAA Compliant
- IC
- FCC

Learn More



Learn more about this product's key technologies.



View all compatible accessories for this product.

Overview

The **N9P-4RA2** is part of Luminy's specialty series. Specialty series devices are designed to improve operations and surpass today's highest security standards, providing increased situational awareness and comprehensive security.

Key Technologies

LumiFlex technology delivers the comprehensive, flexible coverage of multiple single-sensor cameras using a single camera housing. LumiFlex cameras have multiple camera sensors that can be individually positioned to capture different areas of a scene. The footage from each sensor can then be combined to create one continuous stream to reduce the number of licenses required for a higher return on investment.

Video Content Analytics (VCA) is the umbrella for line crossing and intrusion analytics. Line Crossing identifies when a person or object crosses a defined line. Intrusion detects when a person or object breaches the boundaries of a defined area or enters a restricted area. VCA is available on most Luminy network cameras.

Intelligent Motion Detection (iMD) technology accurately detects and filters humans and vehicle in a monitoring area. Using an advanced algorithm, iMD can accurately detect humans and vehicles while reducing false alarms caused by other objects, animals, or lighting. Users can be alerted to iMD events for timely security. iMD events can be saved for future reference and easily searched for at a later time for forensic analysis and to assist in investigations.

LumiPolarPro and **LumiDesertPro** technology ensure rugged all-weather performance. Depending on the product model, LumiPolarPro enables dependable performance in -40°C (-40°F) or lower, and LumiDesertPro allows operation in temperatures 60°C (140°F) or higher.

Specifications

Camera

Luminys Series	Specialty
Image Sensor	Dual 4MP 1/2.7-in. CMOS sensor
Maximum Resolution	2688 × 1520
Minimum Illumination	Color: 0.0007 Lux at F1.6 0 Lux With IR Illumination On
Number of Illuminators	Eight (8) IR LEDs (Four (4) IR LEDs per Sensor)
Illuminator Control	Automatic, Manual
Maximum Illumination Distance	Up to 30.5 m (100.0 ft)
Electronic Shutter Speed	Automatic, Manual 1/3 s to 1/100,000 s
S/N Ratio	> 56 dB

Lens

Iris Type	Fixed
Lens Type	Fixed
Focal Length	2.8 mm
Maximum Aperture	F1.6
Field of View	Horizontal: 101° Vertical: 54° Diagonal: 120°
Close Focus Range	1.1 m (3.6 ft)
DORI Distance	Detect: 63.1 m (207.0 ft) Observe: 25.0 m (82.0 ft) Recognize: 12.5 m (41.0 ft) Identify: 6.3 m (20.7 ft)

Video

Compression	H.264, H. 265, Smart Encoding H.265, Smart Encoding H.264, MJPEG (Sub Stream 1 Only)
Standard Codec	Supported
Stream Capability	Two (2) Streams
Resolution	4MP (2688 × 1520), 4MP (2560 × 1440), 3MP (2048 × 1536/2304 × 1296), 1080p (1920 × 1080), 1.3MP (1280 × 960), 720P (1280 × 720), D1 (704 × 480), VGA (640 × 480), CIF (352 × 240)
Maximum Frame Rate	Main Stream: 2688 × 1520 at 20 fps Sub Stream 1: D1 at 30 fps Sub Stream 2: 1080p at 30 fps
Video Bit Rate	H.264: 3 kbps to 10,240 kbps H.265: 3 kbps to 10,240 kbps
Bit Rate Control	CBR/VBR
Day/Night	Color, Black and White
Light Balancing	Wide Dynamic Range (120 dB)
Noise Reduction	3D NR
Image Angle	0°/90°/180°/270°
Mirror Rotation	Supported
Region of Interest	Four (4) Areas
Privacy Masking	Four (4) Areas

Analytics

Intelligent Motion Detection	Supported with Alarms for Vehicles and Humans
Video Content Analytics	Line Crossing, Intrusion

Audio

Compression	G.711a, G.711Mu, PCM
Interface	Input: Built-in Microphone and One (1) Channel Output: One (1) Channel

Alarm

Event	Line Crossing, Intrusion, Motion Detection, iMD, Audio Detection, Video Tampering, Disk Full, Disk Error, Offline, IP conflict, Voltage Exception, Security Warning
Interface	Input: One (1) Channel (3V-5VDC, 5 mA) Output: One (1) Channel (12 VDC, 300 mA)

Network

Interface	RJ-45 (10/100 Base-T)
Protocol	IPv4, IPv6, DNS, TCP, UDP, DHCP, HTTP, HTTPS, 802.1x, RTSP, DDNS, P2P, SMTP, RTMP, PPPoE, UPnP, SNMP, Bonjour, QoS, Auto Registration, ICMP, IGMP, FTP, SFTP, RTP, RTCP, NTP, NFS
Interoperability	ONVIF (Profile S/G/T), CGI
Browser	Chrome, Firefox, Edge
Storage	FTP, SFTP, MicroSD Card (Max. 256 GB), NAS, Local Recording to PC

Electrical

Power Supply	12 VDC, PoE (802.3af)
Power Consumption	Maximum: 13.0 W Standard: 4.8 W

Construction

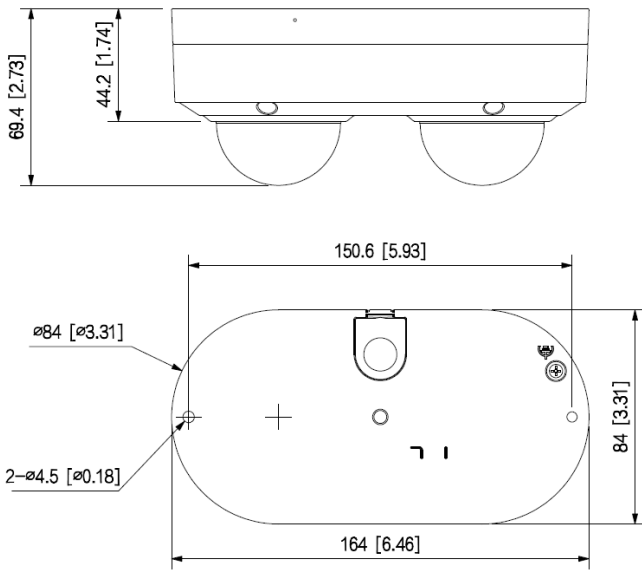
Net Weight	0.6 kg (1.4 lb)
Gross Weight	0.8 kg (1.8 lb)
Operating Temperature	-40 to 60 °C (-40 to 140 °F)
Storage Temperature	-40 to 60 °C (-40 to 140 °F)
Storage Humidity	< 95% RH (Non-Condensing)
Protection Ratings	IP67, IK10
Product Dimensions	164.0 mm × 84.0 mm × 69.4 mm (6.46 in. × 3.31 in. × 6.7 in.)
Packaging Dimensions	205.0 mm × 121.0 mm × 101.0 mm (8.1 in. × 4.8 in. × 4.0 in.)
Material	Metal

Certifications and Compliance

Certifications	FCC, IC
Compliance	NDA

Dimensional Drawing

mm [in.]



Compatible Accessories

Below are the compatible accessories for this product. Not all accessories are included with purchase; some must be purchased separately. For each mount type, all listed SKUs are required to ensure proper installation.

Cross-check the accessories in this datasheet with the Luminy's accessory selector tool, and verify that the mount size corresponds to the camera size. Failure to check may result in an incorrect or incomplete mount.

Accessory Combination	SKU(s)	Description
MountBracket*	N9P-E01 (Must be Purchased Separately)	Wall and Ceiling Mount Bracket for N9P-4RA2 (2 x 4MP Network LumiFlex Un-sitched Dual-lens Camera)

*All SKUs listed must be used to complete the mounting combination. Verify the compatibility of the listed mounting components prior to ordering. Failure to use all SKUs listed and ensure compatibility may result in an incorrect or incomplete mount.